

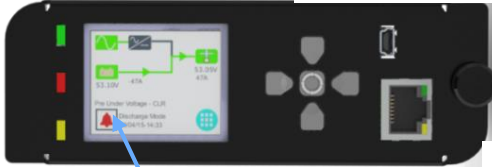
M1000 User Interface

Detailed Information and Configuration options through Web Pages

- M1000 comes integrated with an inbuilt HTTP Web server. All alarms, parameters, configurations and logs can be accessed from the Web interface using a laptop
- System Overview status in Home Page
- Download event logs, energy & run hour logs with various easily configurable filters
- Configure alarm limits and most other control parameters through easy to use menus
- See current and old system inventory for tracking



USB Port – System Configuration Update, Firmware upgrade, Log download



LAN Port

Network

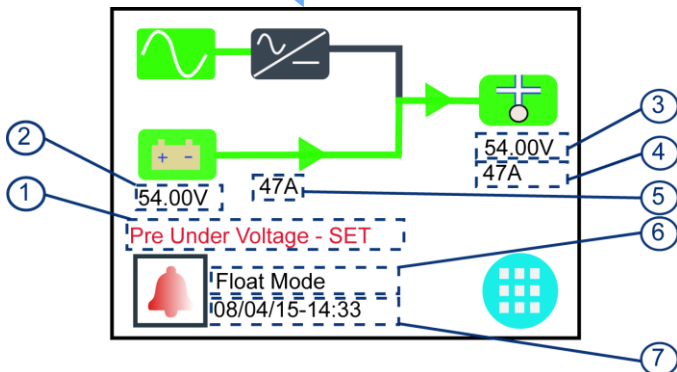


Web Pages



SPI Flash & SD Card for firmware upgrades, Performance or Other Log storage, System Configuration updates

KeyPad



Extremely easy user workflow and menu's for complete information and configuration

- High resolution coloured TFT & 5 location keypad for better user experience
- Key system status parameters displayed on home screen
- Single click to Active Alarm / Status or Menu screen
- 2nd level Password protection for critical features and configurations
- Easy navigable menu's for all Settings / Alarms / seeing current system configuration,
- Rich maintenance menus for servicing / troubleshooting or battery testing etc.