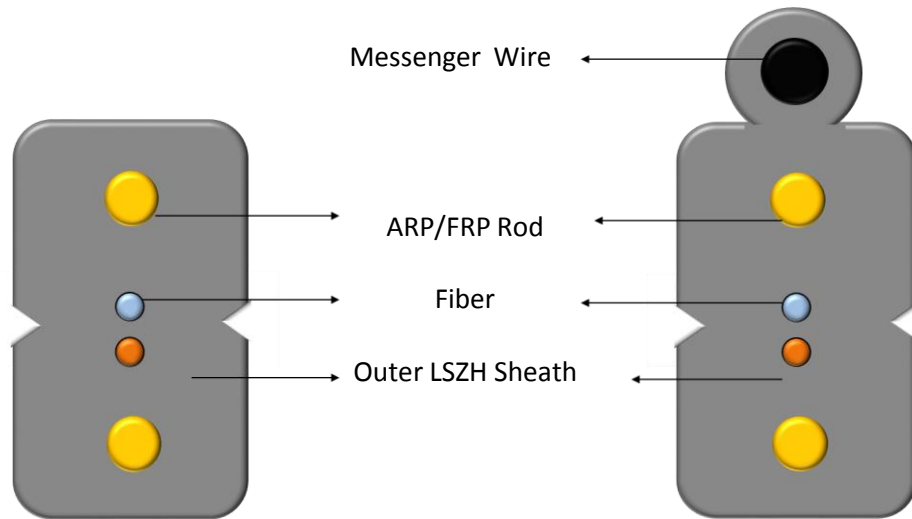


FTTx Drop Cable Multitube Design



Construction Details

The optical fibers are embedded in the sheath. Strength members ARP/FRP rods one on each side provides longitudinal strength.

Features

- Highly flexible, durable
- Multiple network applications
- Reduced cable preparation and installation time
- Easy to strip

Applications

- Designed for installation in space constrained areas
- Optimized for applications within living units such as it can be run under carpets, along door frames etc.

Product Options

- Available with all kinds of Single Mode and Multimode fibers.
- Length options of 0.3, 0.5, 1, 2 km.

Specifications

Cable Configuration			
Fiber Count	Dimension (mm)	Cable Weight (kg/km)	Tensile Strength (N)
Drop Cable			
1/2/4	2.0 x 3.0	8	100
Drop Cable with Messenger			
1/2/4	2.0 x 5.2	18	600

Environmental Specifications (Temperature)

Operation and Storage: -40°C to +70°C
 Installation: -30°C to +75°C

Standards Compliant

- ITU-T
- IEC 60793 & 60794
- EN187000
- Telecordia GR-20
- EIA/TIA
- RUS1755.900